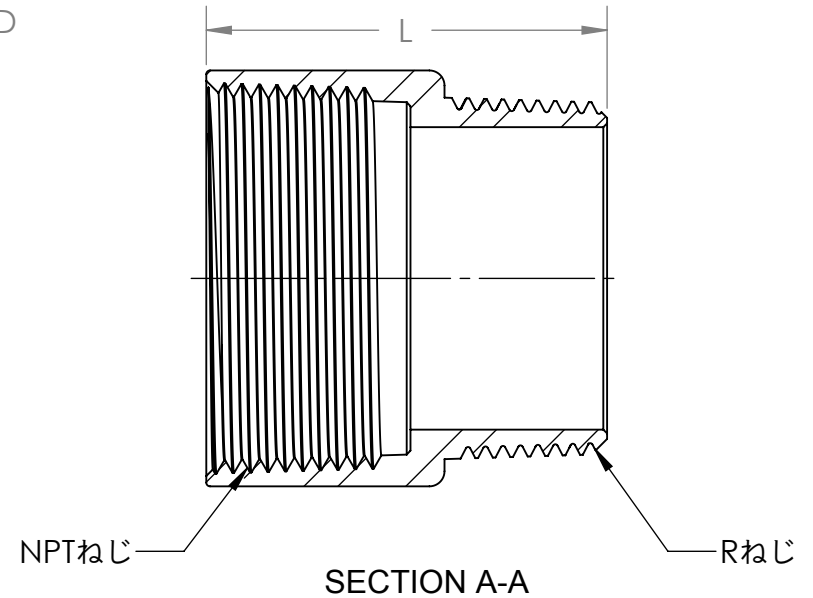
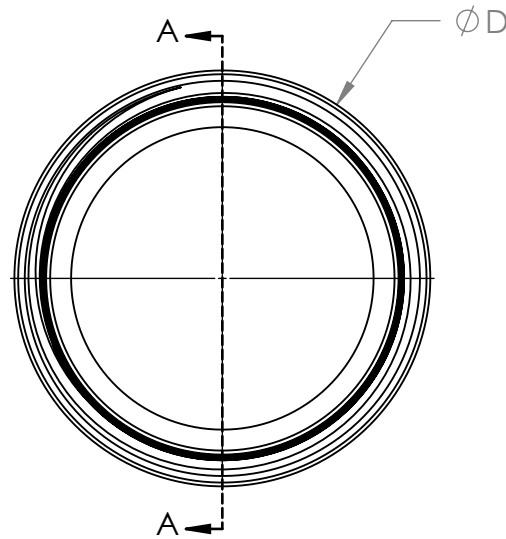
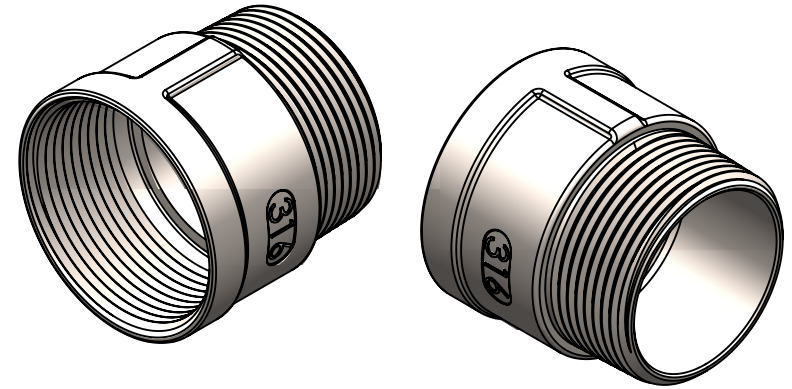


型式	呼び径		$\phi D$	L
NPT316-20PT	20A	3/4"	32	42
NPT316-25PT	25A	1"	39.5	47
NPT316-32PT	32A	1-1/4"	48.5	51
NPT316-40PT	40A	1-1/2"	55	53
NPT316-50PT	50A	2"	67	61



DO NOT SCALE DRAWING		 THIRD ANGLE PROJECTION	<b>METRIC</b> TOLERANCES UNLESS OTHERWISE SPECIFIED .XX = +/- 0.10 .X = +/- 0.25 .X = +/- 0.50 ANGLE = +/- 0.1°		<b>CHIHIRO</b> engineered items www.chi-hiro.co.jp	
CONFIDENTIAL DESIGN OF ChiHiro Co., Ltd. DO NOT DISTRIBUTE WITHOUT CONSENT						
1. PART MUST BE PERMANENTLY MARKED WITH A PART NUMBER, REVISION, & VENDOR ID. 2. DIMENSIONS ARE IN MILLIMETERS; DUAL DIMENSIONS ARE IN INCHES 3. BREAK ALL SHARP EDGES AND CORNERS. 4. TAPPED HOLES MUST BE FREE OF MATERIAL.		MATERIAL: SUS316	FINISH: DATE: 2021-05-01	TITLE NPT-PT変換アダプタ		
PRESSURE (MAX): 2MPa		SIZE A4	PART NUMBER NPT316-XXPT	REV. A		