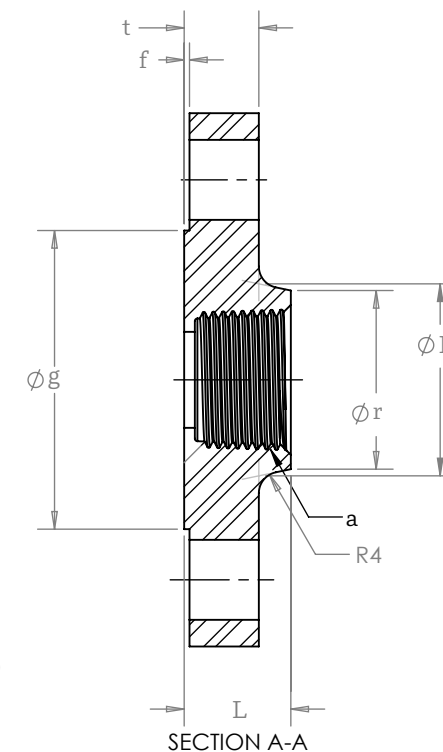
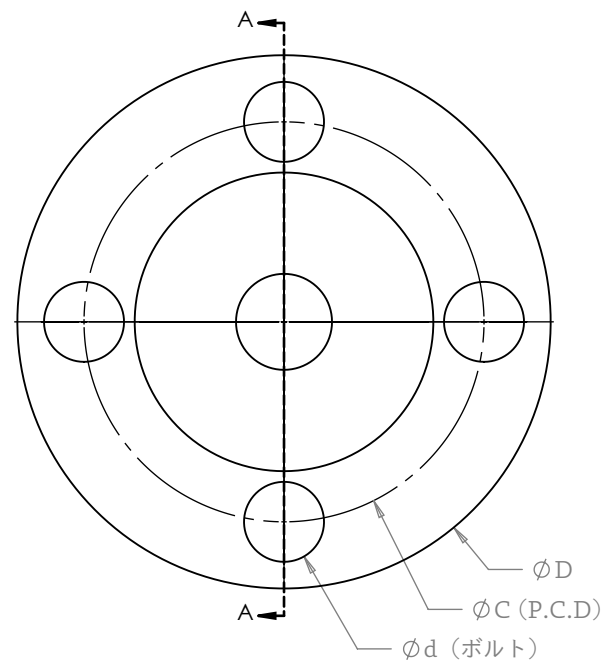
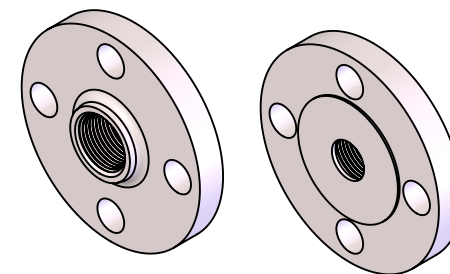


型式	呼び径	a	D	t	g	f
RF316-20	20A	Rc3/4	100	14	56	1
RF316-25	25A	Rc1	125	14	67	1
RF316-32	32A	Rc1-1/4	135	16	76	2
RF316-40	40A	Rc1-1/2	140	16	81	2
RF316-50	50A	Rc2	155	16	96	2
RF316-65	65A	Rc2-1/2	175	18	116	2
RF316-80	80A	Rc3	185	18	126	2
RF316-100	100A	Rc4	210	18	151	2

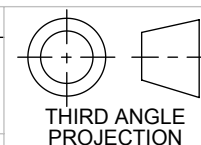
型式	L	R	r	C	d	ボルト
RF316-20	20	36	33	75	4 x 15	M12
RF316-25	20	44	41	90	4 x 19	M16
RF316-32	22	53	50	100	4 x 19	M16
RF316-40	24	60	56	105	4 x 19	M16
RF316-50	24	73	69	120	4 x 19	M16
RF316-65	27	91	86	140	4 x 19	M16
RF316-80	30	105	99	150	8 x 19	M16
RF316-100	36	130	127	175	8 x 19	M16



DO NOT SCALE DRAWING

CONFIDENTIAL DESIGN OF
ChiHiro Co., Ltd.
DO NOT DISTRIBUTE WITHOUT CONSENT

- PART MUST BE PERMANENTLY MARKED WITH A PART NUMBER, REVISION, & VENDOR ID.
- DIMENSIONS ARE IN MILLIMETERS; DUAL DIMENSIONS ARE IN INCHES
- BREAK ALL SHARP EDGES AND CORNERS.
- TAPPED HOLES MUST BE FREE OF MATERIAL.



MATERIAL:
SUS316L

FINISH:
POLISHED
USED ON:

METRIC

TOLERANCES UNLESS
OTHERWISE SPECIFIED

.XX = +/- 0.10
.X = +/- 0.25
X = +/- 0.50
ANGLE = +/- 0.1°

DATE:
2021-05-14

CHIHIRO

engineered items
www.chi-hiro.co.jp

TITLE

JIS 10K 20A-RFねじフランジ

SIZE

A4

PART NUMBER

RF316-XX

REV.

A